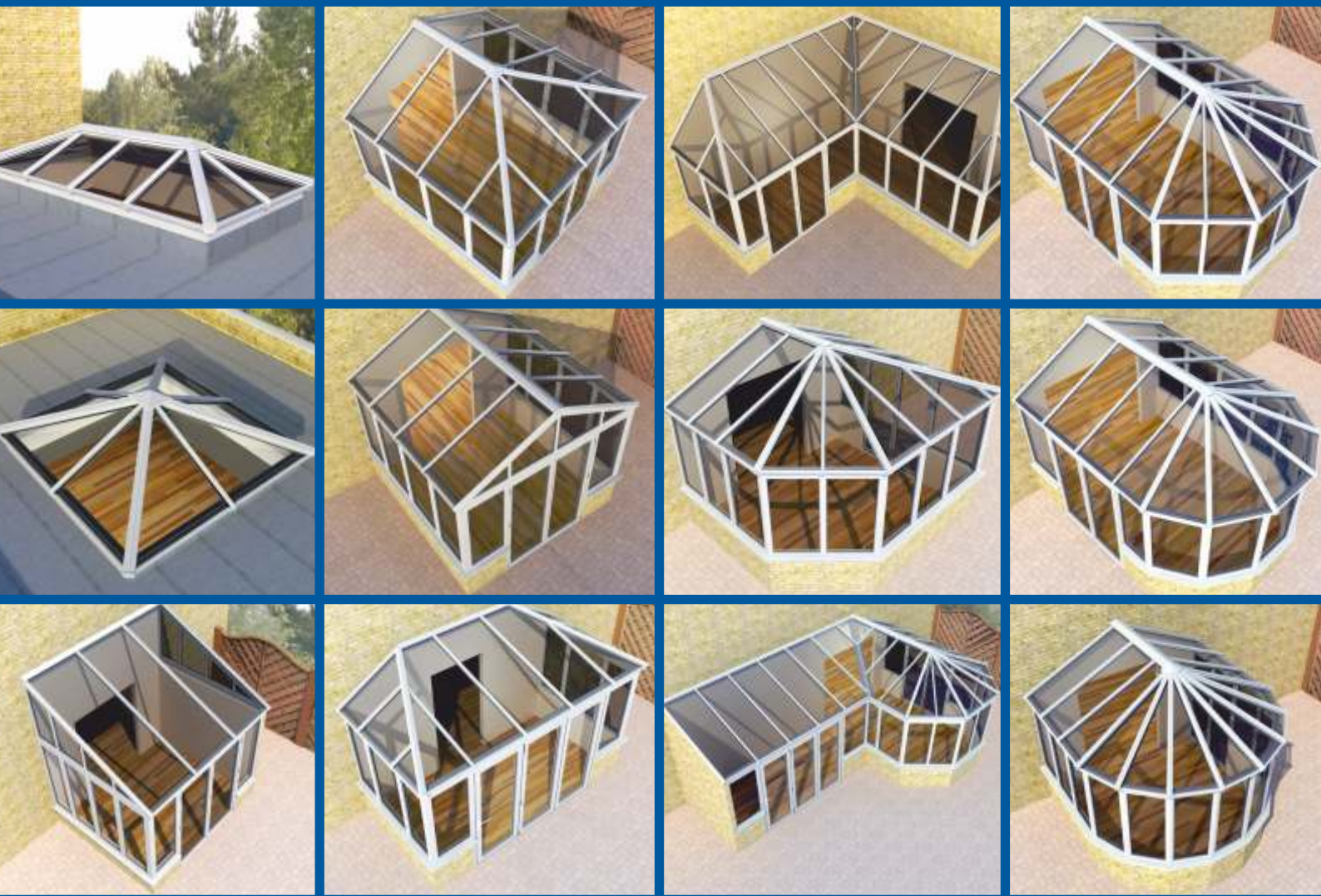
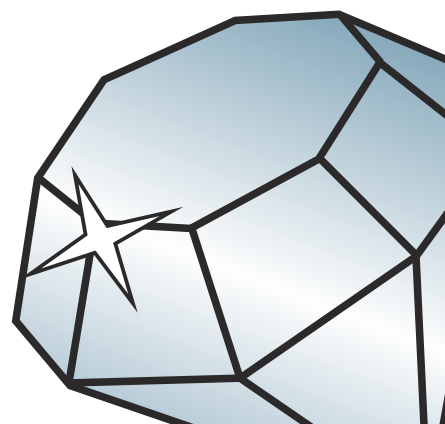


# All Roof Designs

## Section Identification Guide



DURATION  
WINDOWS



# Contents

---

## Profiles

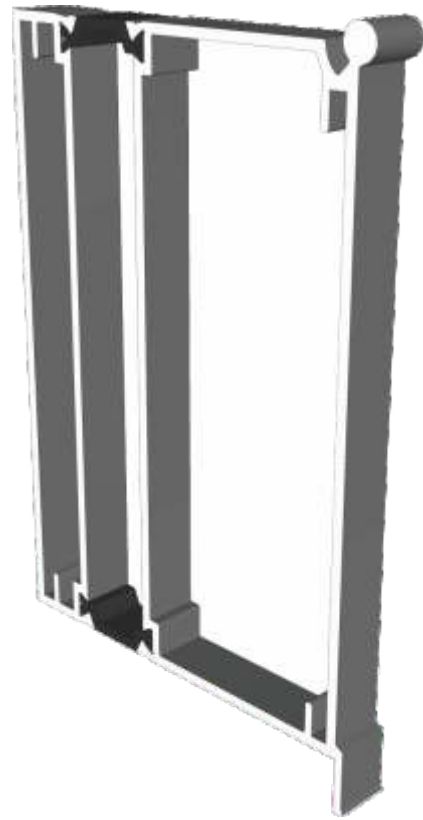
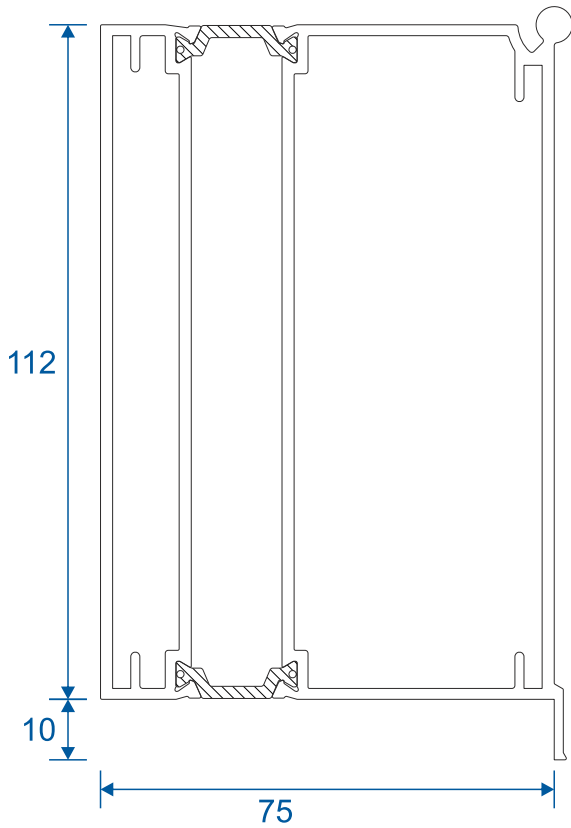
Ring Beam & Rafter Fixing Plates	3
Structural Ring Beam & Adapters	4
Glazing Rafters	5
Jack Rafter, Hip Bars & Hip Wing	6
Ridge & Covers	7
Wall Plate & Adapter	8
Valley, Wing & Support	9
Hip Covers	10
Lead Carriers	11
Roof Vents	12
Transom, Beads & Trims	13
Tie Bar Kit	14
Gaskets & Infills	15
Other Parts	16

## Section Drawings

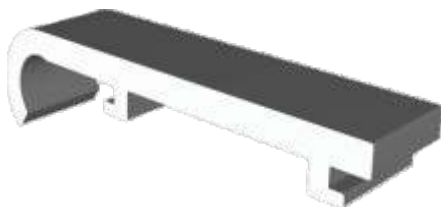
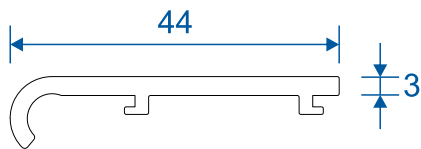
Ring Beam	17
Glazing Rafters, Verge & Transom	18
Ridge & Wall Plate	19
Hips	20
Valley Assembly & Tie Bar Assembly	21
Vents	22
Box Gutter	23

# Ring Beam & Rafter Fixing Plate

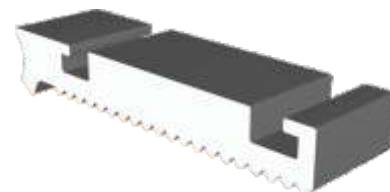
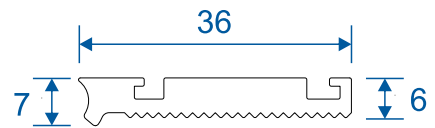
ABD240-241 - 75mm Ring Beam



ABD234 - Rafter to Ring Beam Fixing Plate

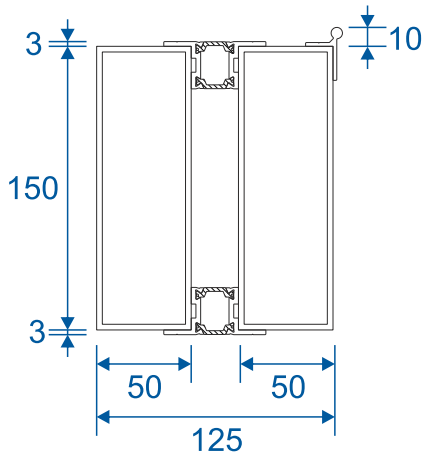


ABD242 - Rafter to Ring Beam Slide Plate

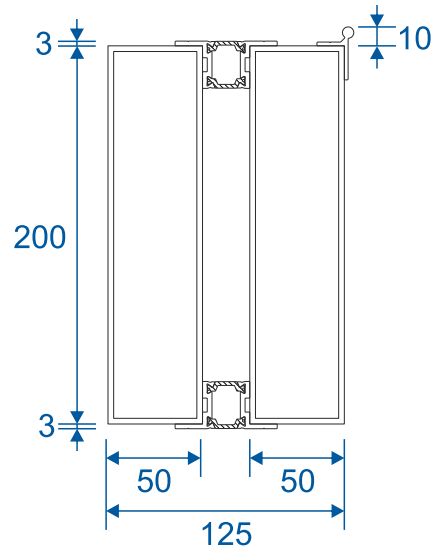


# Structural Ring Beams

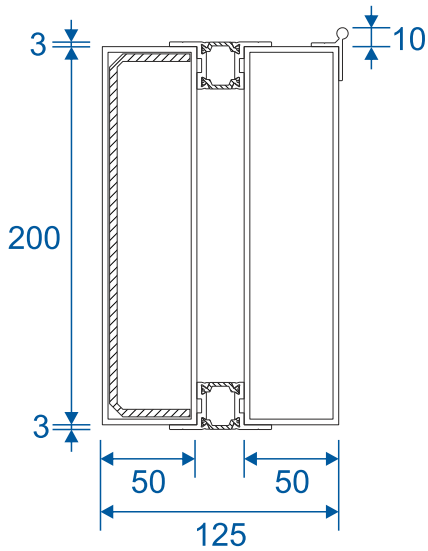
**ABD219-219-A - Structural Ring Beam**



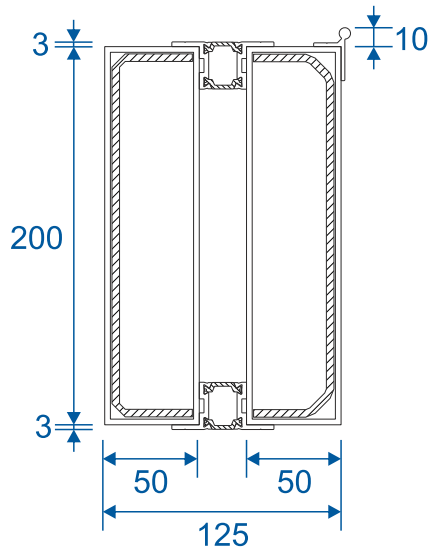
**ABD219-219-B - Structural Ring Beam**



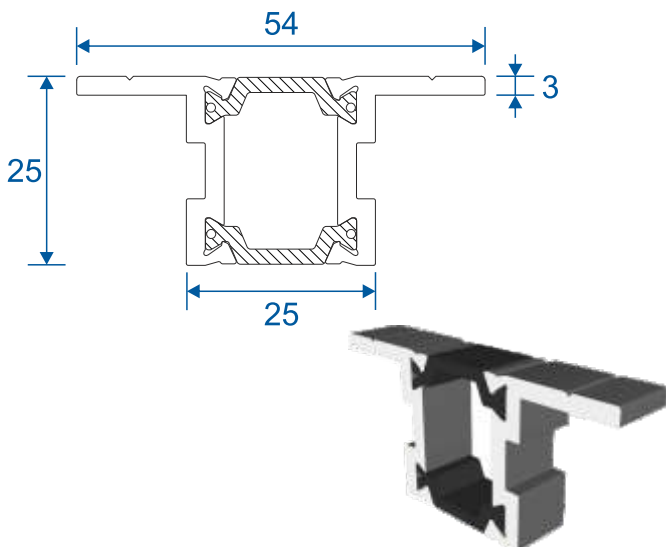
**ABD219-219-C - Structural Ring Beam**



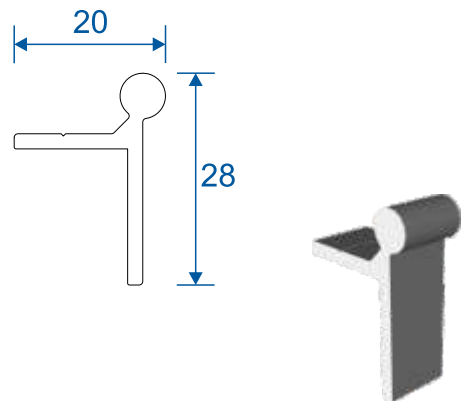
**ABD219-219-D - Structural Ring Beam**



**ABD219-219 - Ring Beam Adapter**

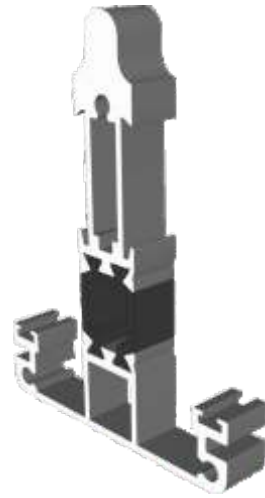
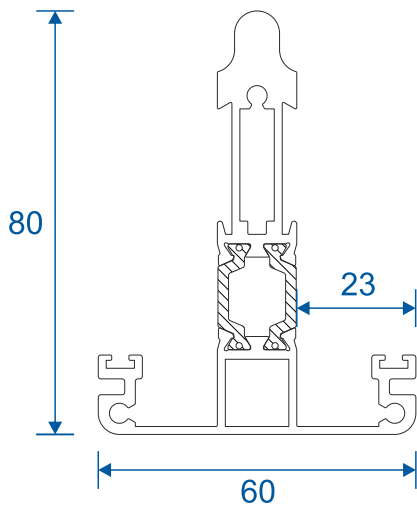


**ABD209 - Ring Beam Support**

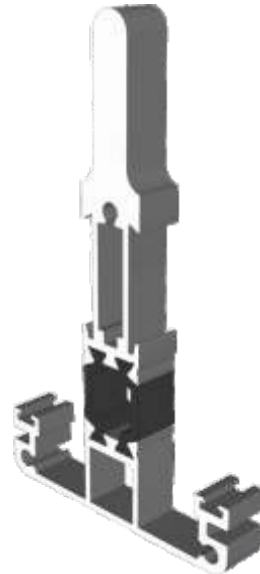
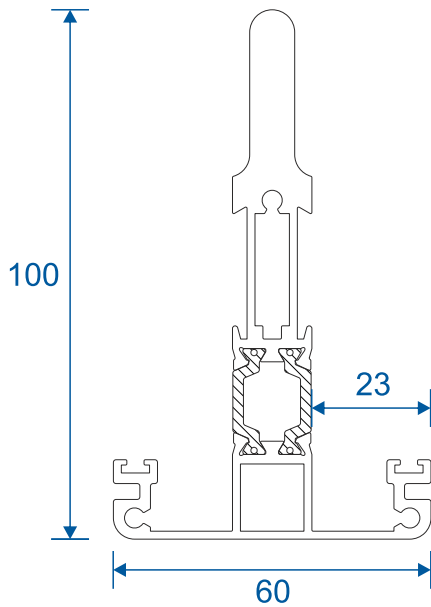


# Glazing Rafter

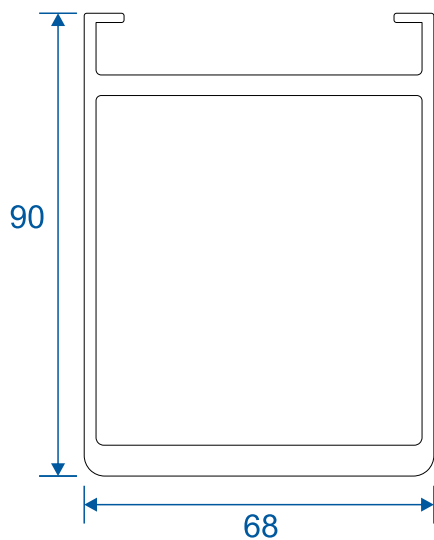
## ABD200-201 - Light Duty Rafter (Glazing Bar)



## ABD200-202 - Heavy Duty Rafter (Glazing Bar)

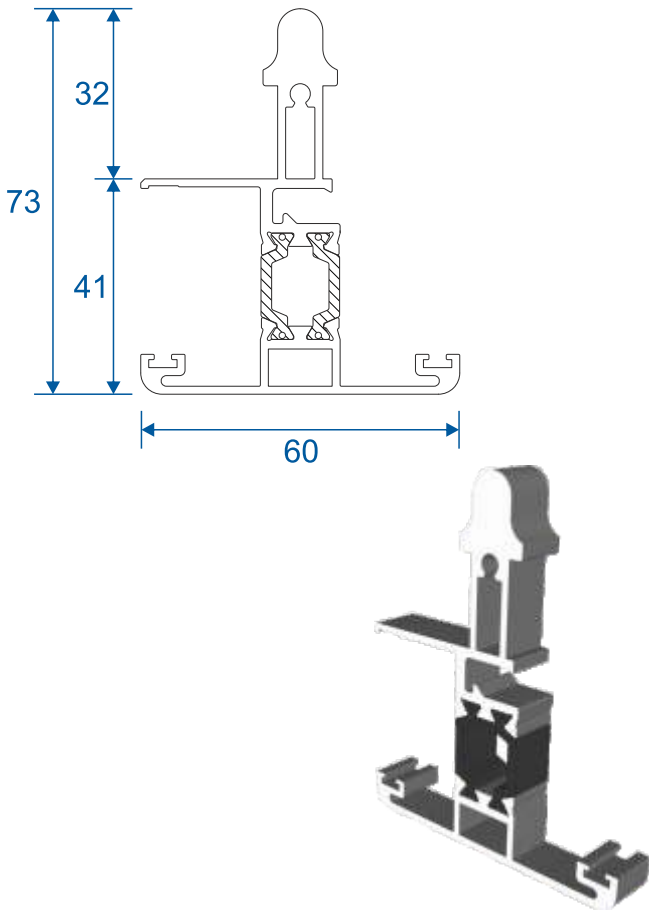


## ABD206 - Rafter Extender (Bolster Bar)

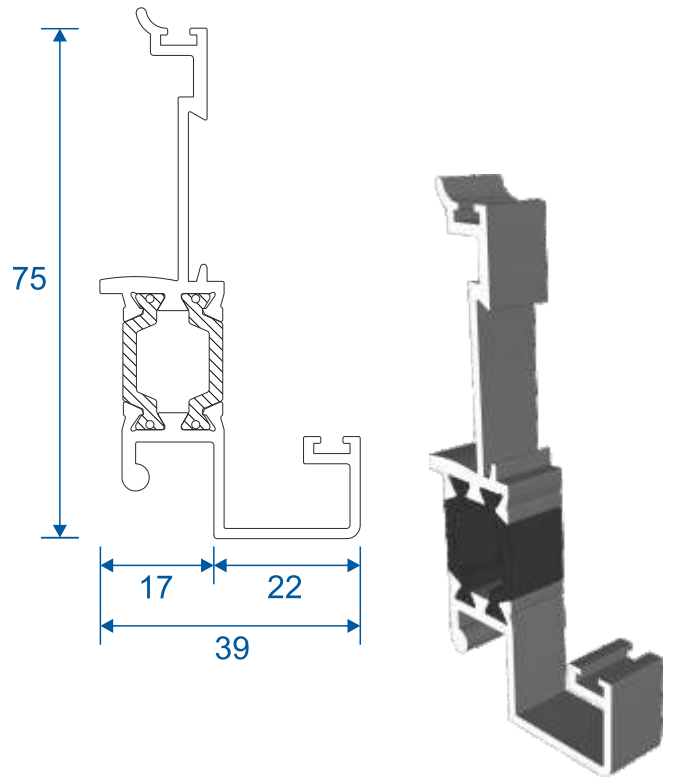


# Jack Rafter, Hip Bars & Hip Wing

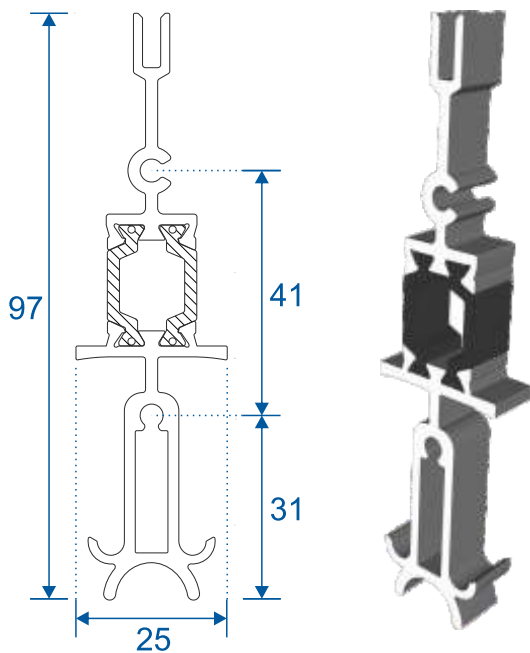
**ABD203-205 - Jack Rafter (Glazing Bar)**



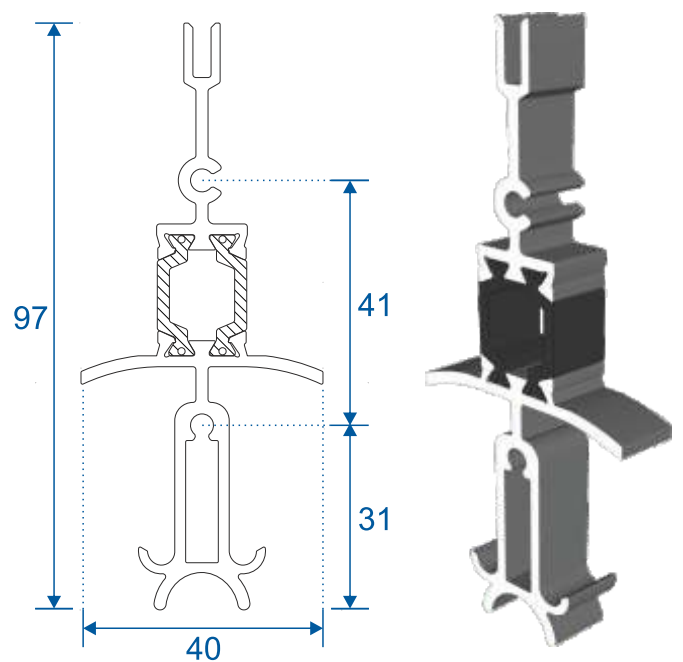
**ABD217-218 - Hip Wing**



**ABD214-215 - Hip Bar (15° to 25°)**

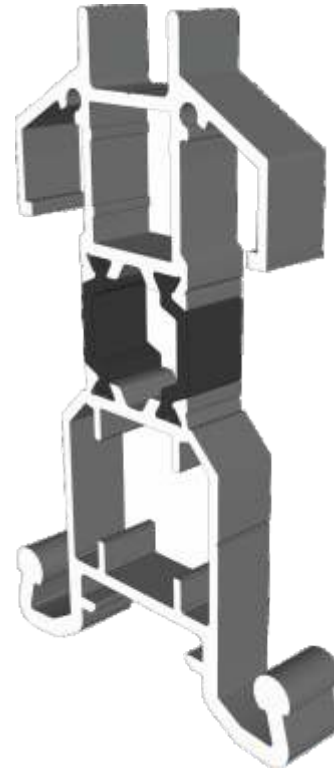
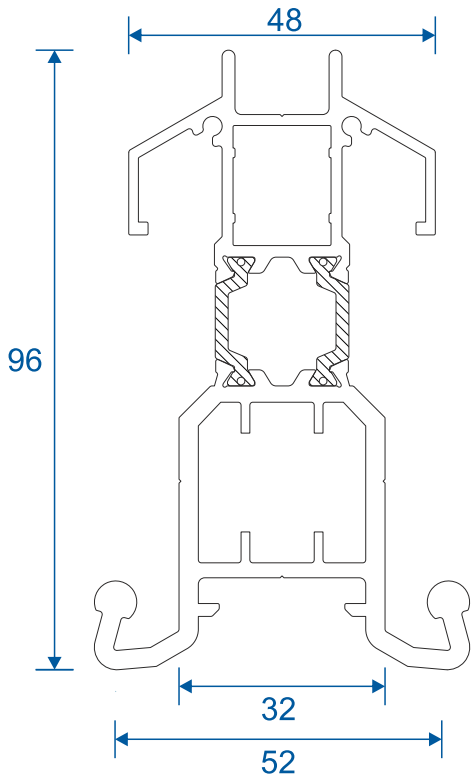


**ABD214-216 - Hip Bar (30° to 45°)**

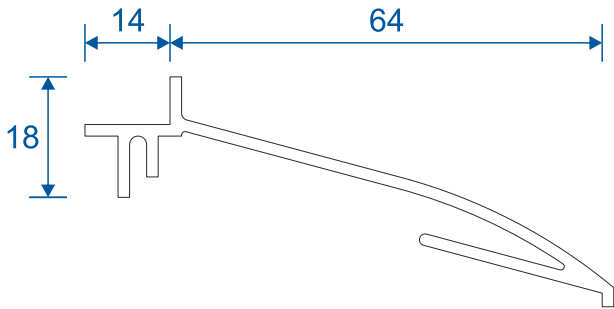


# Ridge & Covers

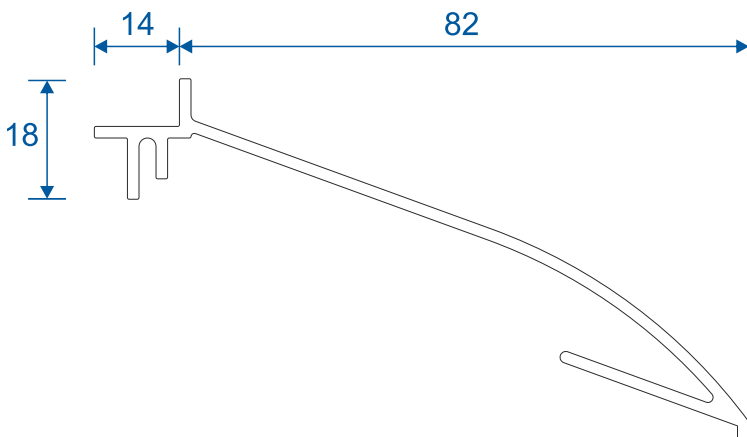
## ABD222-223 - Ridge



## ABD243 - 15°, 20° & 25°



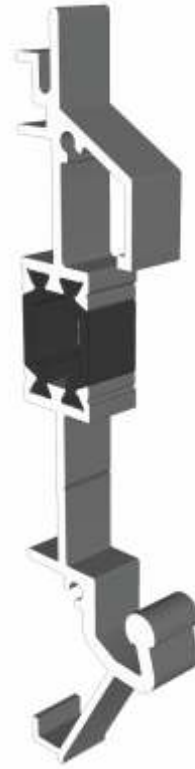
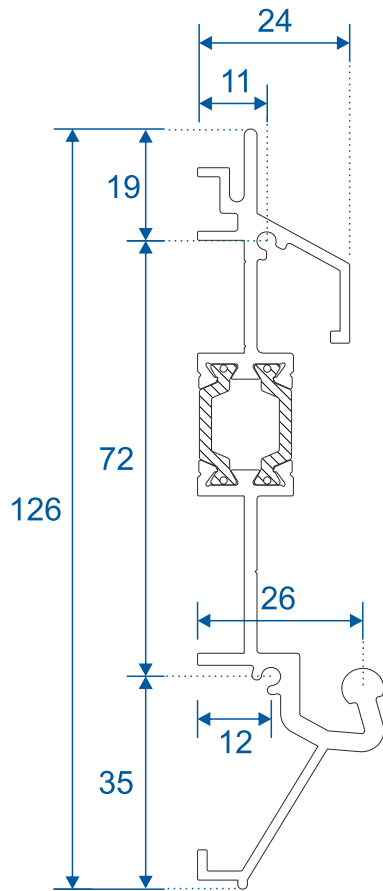
## ABD229 - 30°, 35°, 40° & 45°



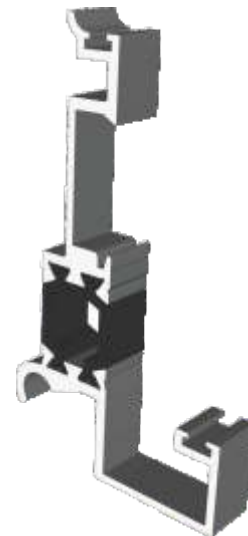
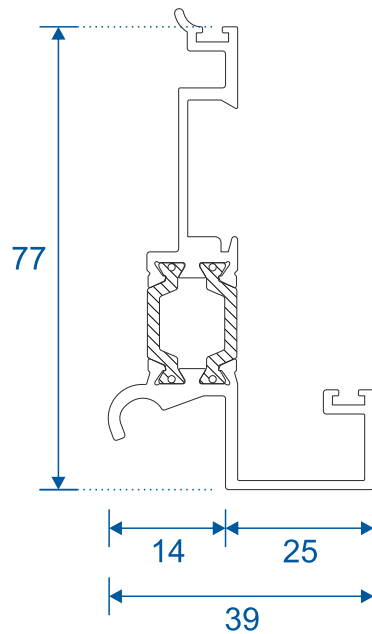


# Wall Plate & Adapter

## ABD226-227 - Wall Plate



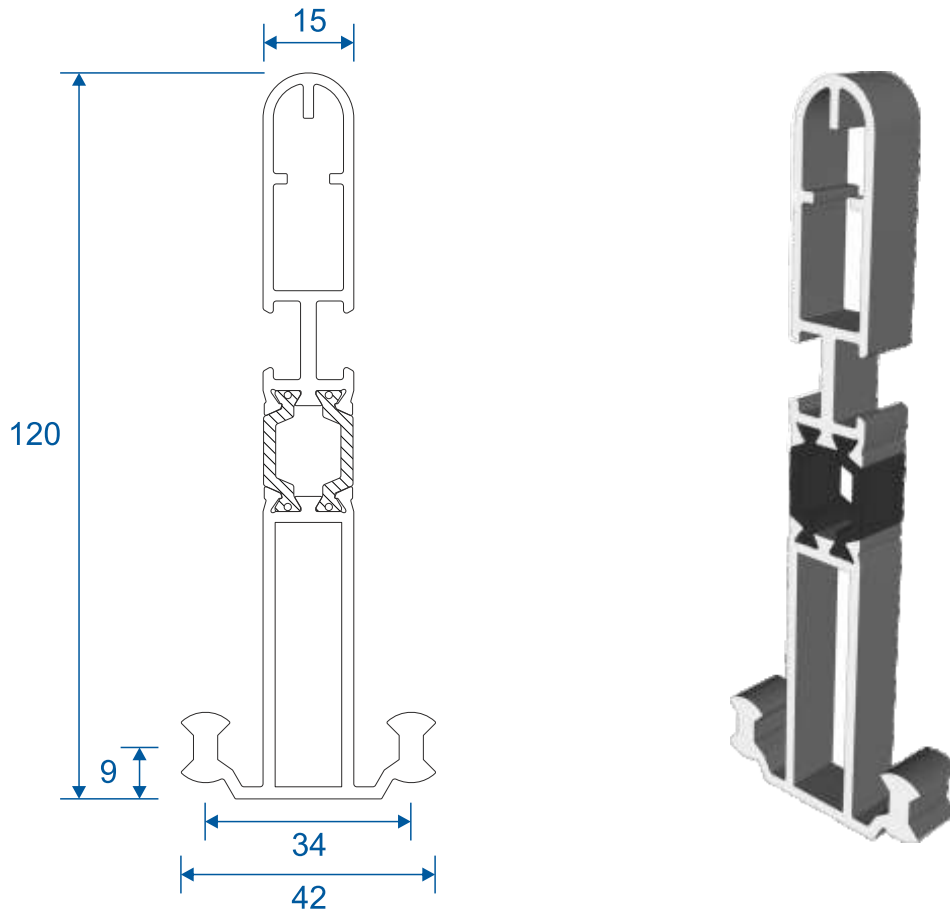
## ABD224-225 - Hip Wing



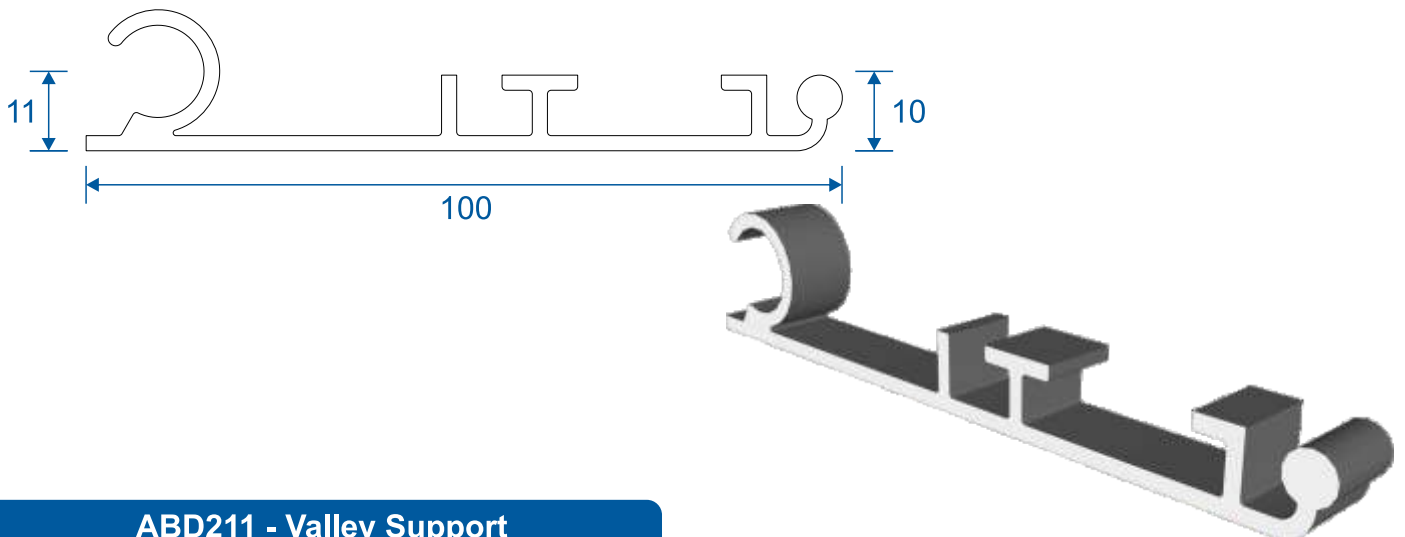


# Valley, Wing & Support

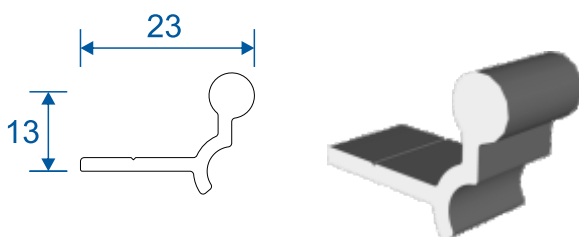
## ABD220-221 - Valley Bar



## ABD213 - Valley Wing

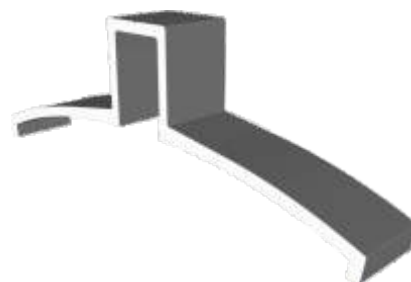
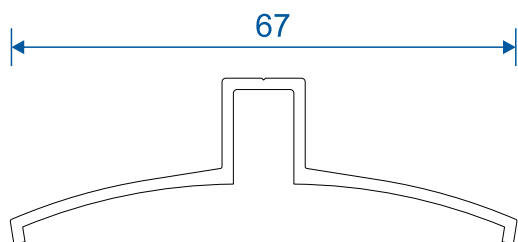


## ABD211 - Valley Support

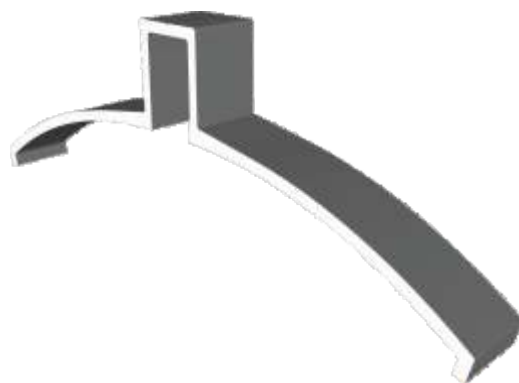
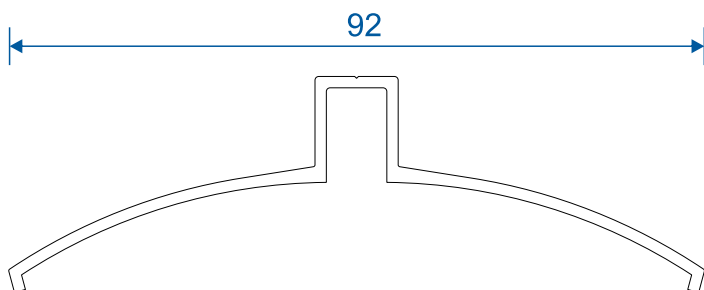


# Hip Covers

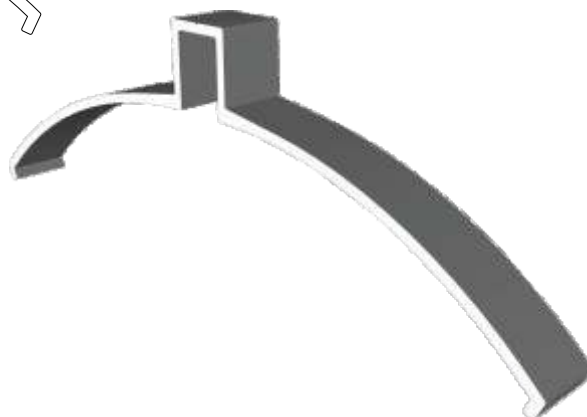
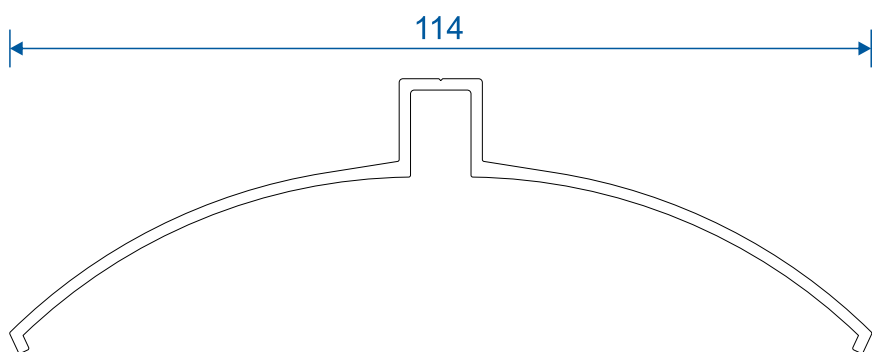
ABD254 - Hip Cover



ABD255 - Hip Cover

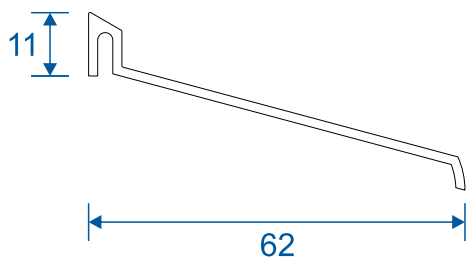


ABD207 - Hip Cover

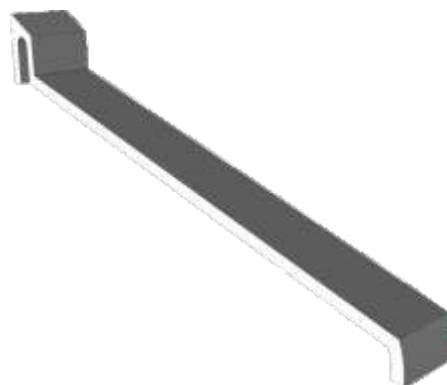
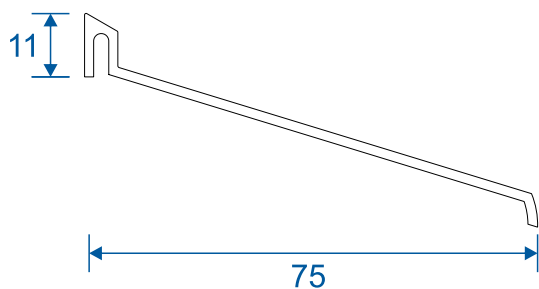


# Lead Carriers

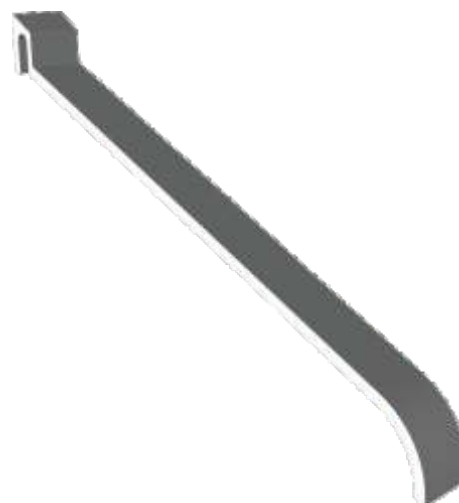
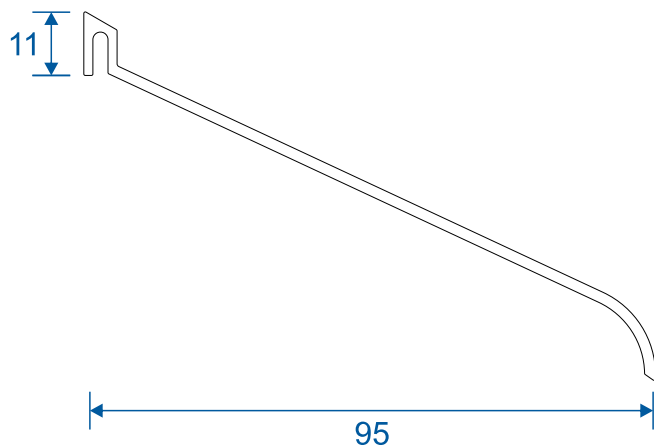
ABD251 - 5° / 10°



ABD252 - 15° / 20°

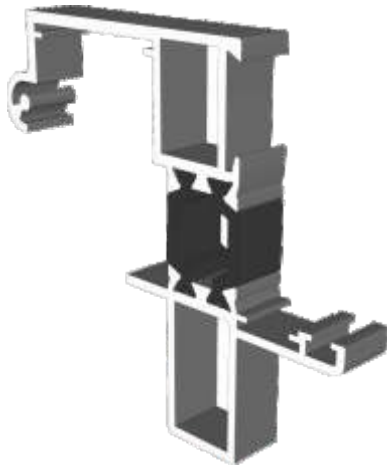
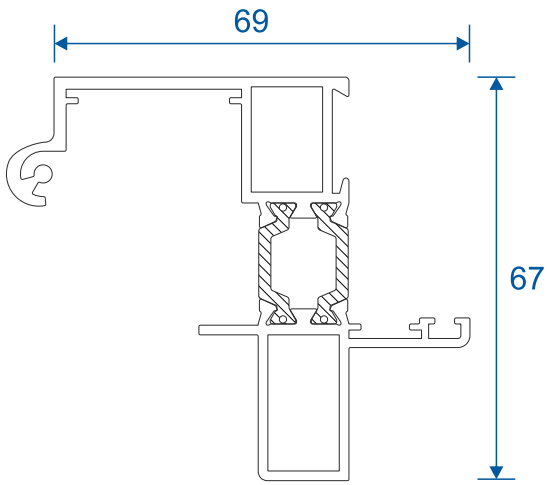


ABD237 - 25°, 30°, 40° & 45°

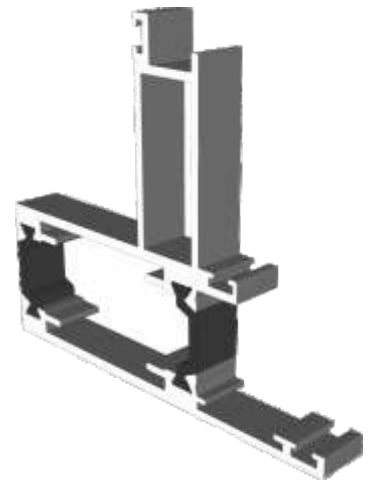
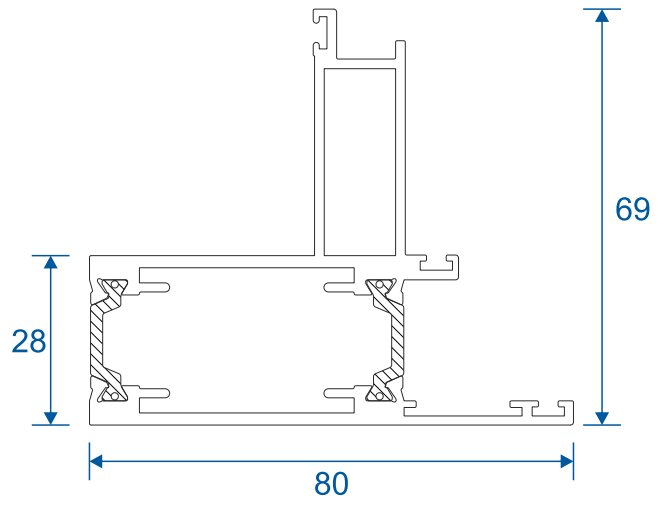


# Roof Vents

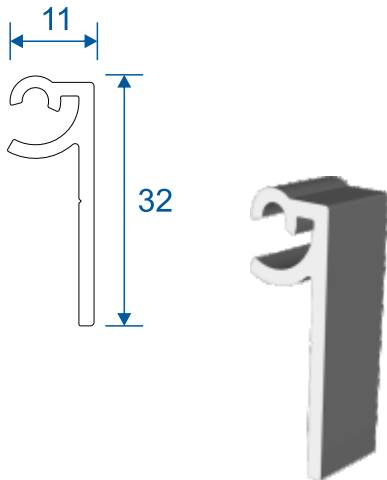
**ABD232-233 - Roof Vent Sash**



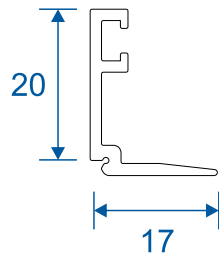
**ABD230-231 - Roof Vent Frame**



**ABD245 - Roof Vent Hinge**

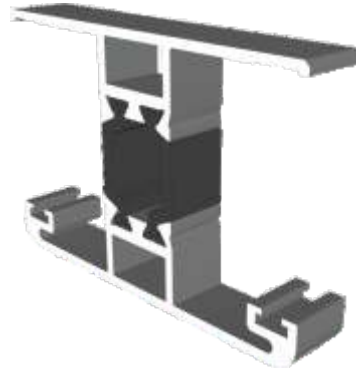
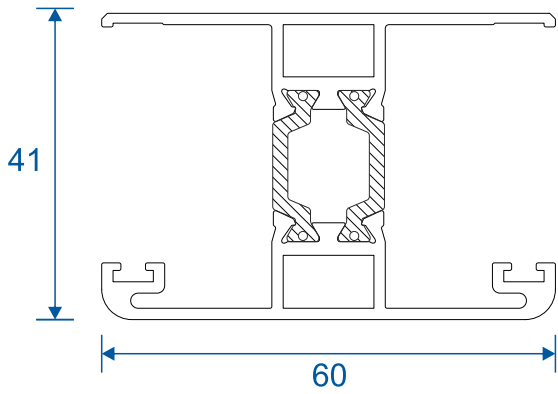


**ABD246 - Roof Vent Glazing Bead**

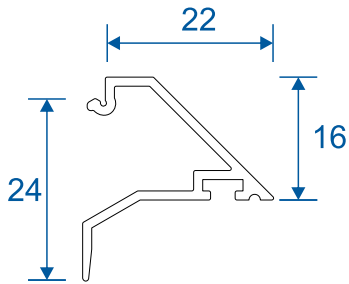


# Transom, Beads & Trims

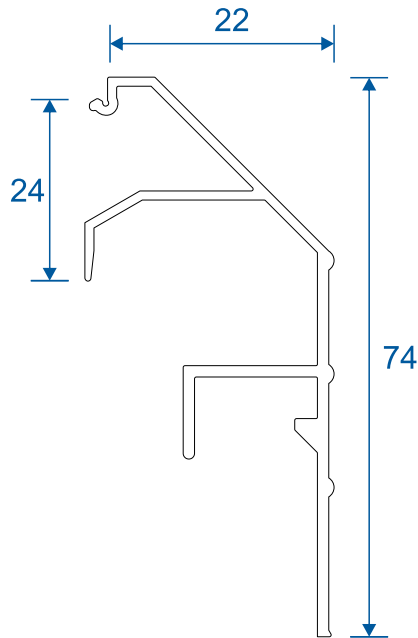
## ABD203-204 - Transom



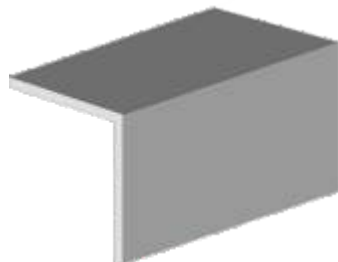
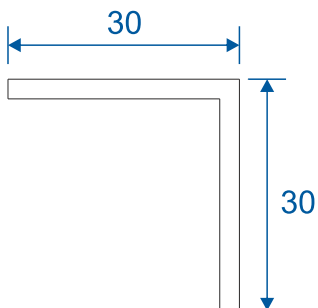
## ABD210 - 28mm Bead



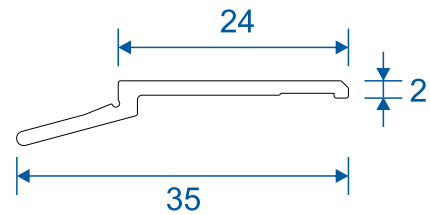
## ABD212 - Rafter End Trim



## ABD140 - Glazed Unit End Trim

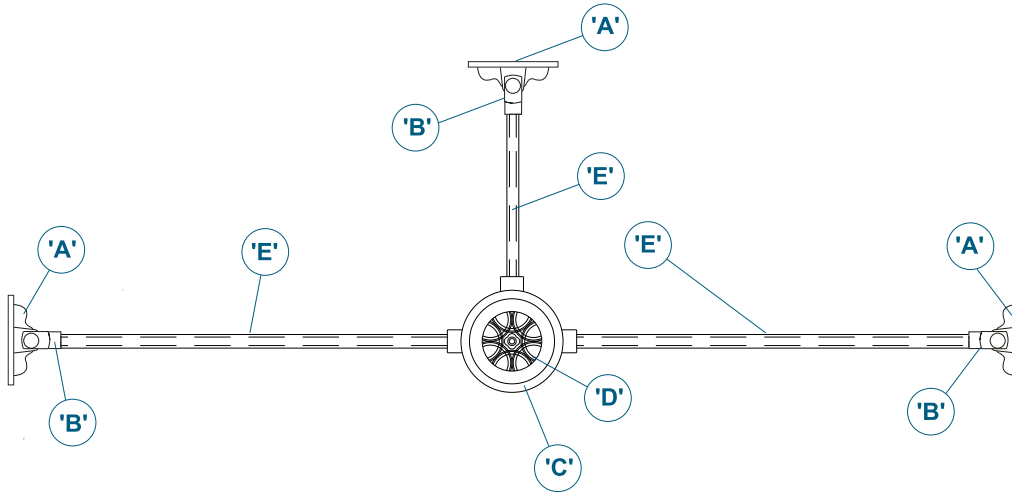


## ABD244 - Glazing Bead For Jack Rafter



# Tie Bar Kit

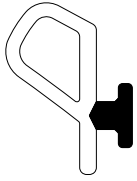
## ABD Modern - 3 Way Tie Bar Kit



- A)** Fixing Lug (x3)
- B)** CCS015 Steel Clevis (x3)
- C)** CCS013 90° Centre Boss (x1)
- D)** Cover Discs (x2)
- E)** Tie rods (tubes and threaded rod) lengths cut on site to suit conservatory width & slope (x3)

# Gaskets & Infills

**ABD366 - Bead Gasket**



**ABD302 - 28mm Wedge**



**ABD301 - 25mm Wedge**



**ABD304 - 25mm Wedge**

For Jack Rafter

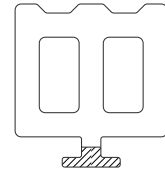


**ABD305 - 28mm Wedge**

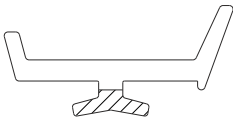
For Transom / Jack Rafter



**ABD308 - End Infill Gasket**



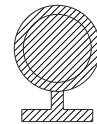
**ABD303 - Retained Gasket**



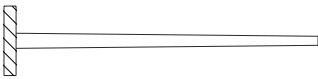
**ABD309 - Vent Wool Pile**



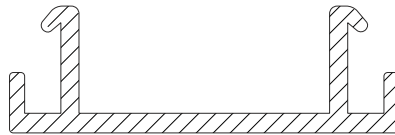
**ABD310 - Vent Weather Seal**



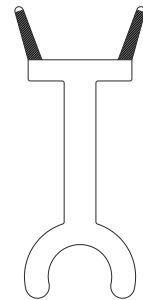
**ABD306 - Weather Strip**



**ABD307 - Cable Tidy**



**ABD248 - Ring Beam Infill**



**ABD311 - Valley Gasket**



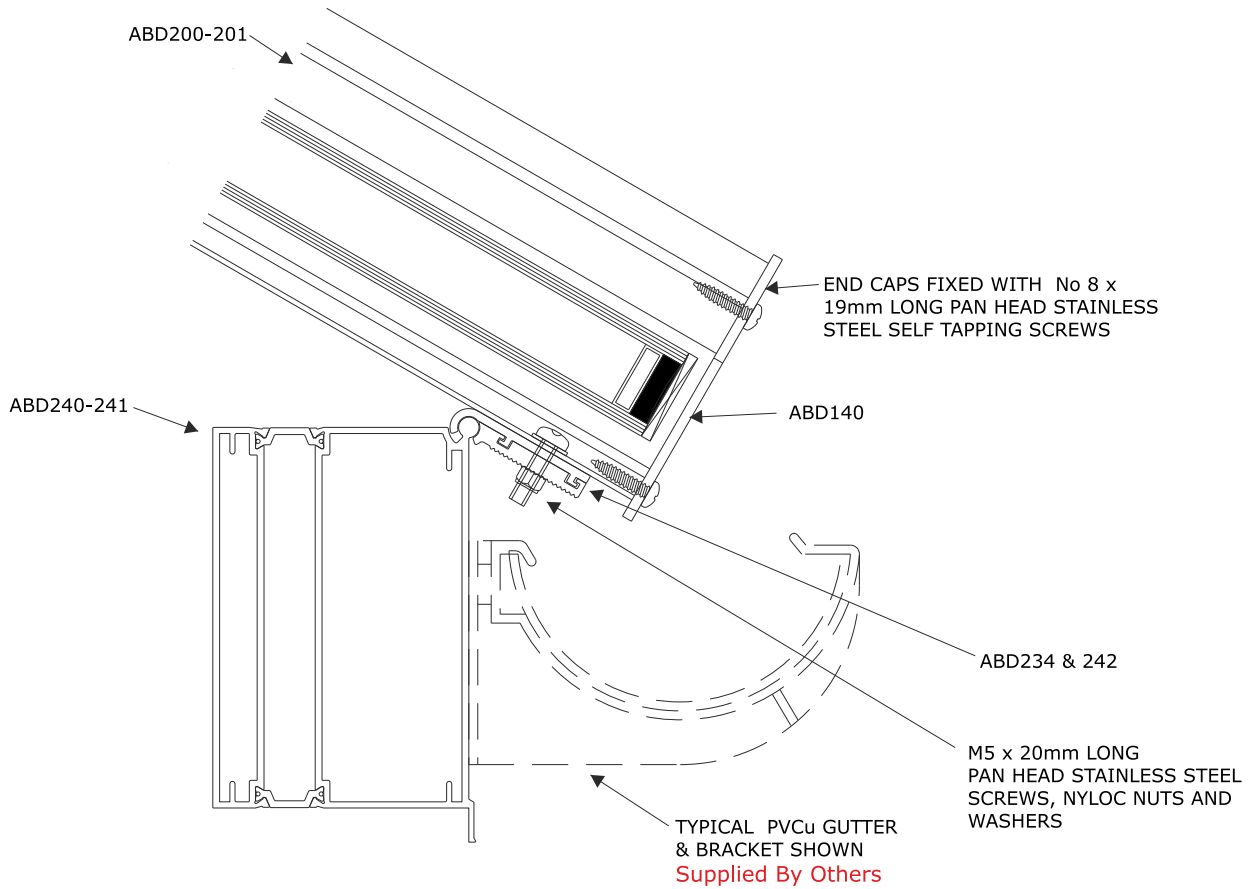


## Other Roof Parts

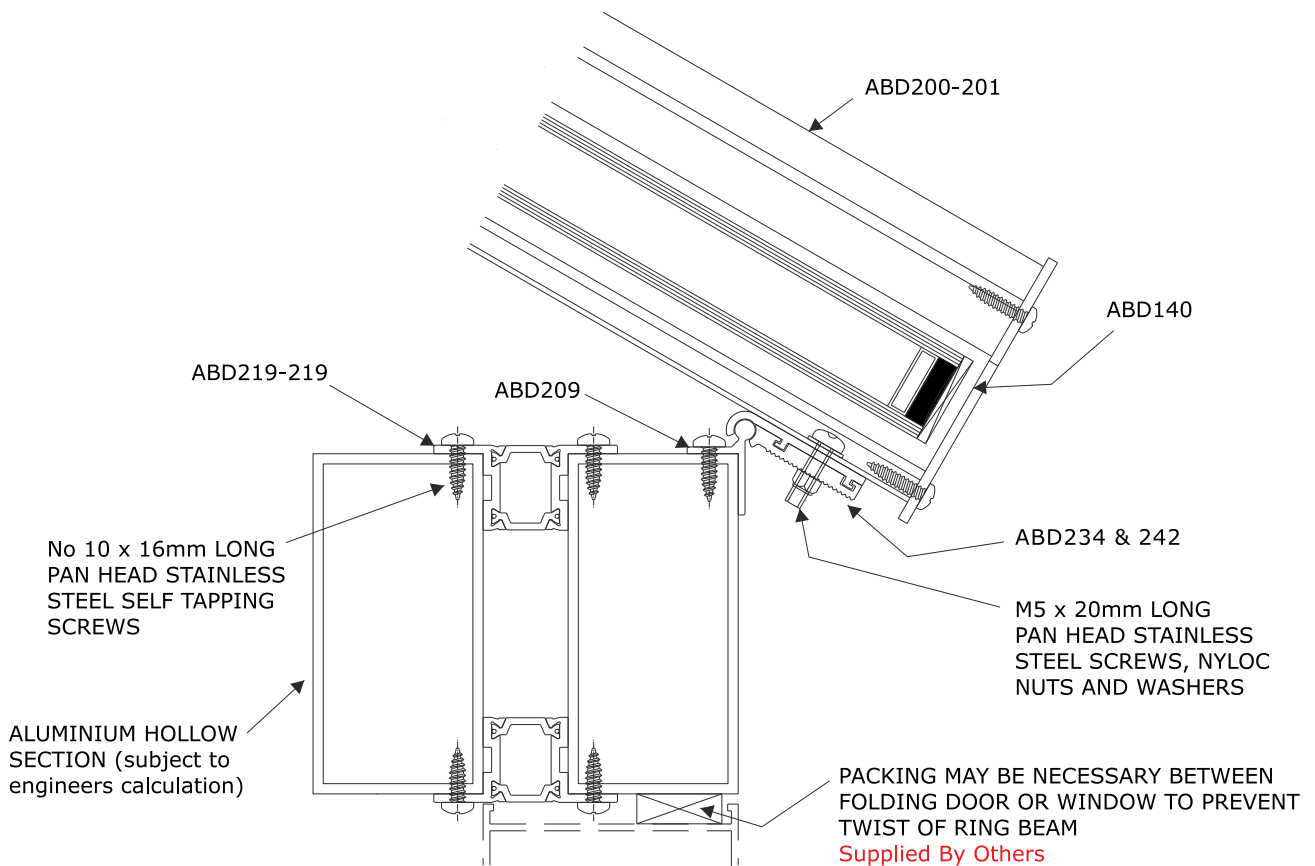
● Ring Beam Clamp Bracket	ADB312
● Ring Beam Corner Brace (Edwardian)	ADB313 / ADB337
● Ring Beam Corner Brace (3 Face Bell End)	ADB314 / ADB338
● Ring Beam Corner Brace (5 Face Bell End)	ADB315 / ADB339
● Light Glazing Bar End Cap	ABD316
● Heavy Duty Glazing Bar End Cap	ABD317
● Hip End Cap	ABD318
● Ridge End Caps	ABD542
● Ring Beam End Caps	ABD458
● 5° & 10° Wall Plate End Cap	ABD319
● 15° & 20° Wall Plate End Cap	ABD320
● 25° & 30° Wall Plate End Cap	ABD321
● 35°, 40° & 45° Wall Plate End Cap	ABD322
● Spider Bracket & Covers	Job Specific
● Ridge Wall Fixing Bracket	ABD325 or ABD326
● Ridge Cover Pressing	ABD524
● Retaining Bracket	ABD340
● Tee Cleat	ABD208
● Manual Opener & Telescopic Arm	ABD420 & ABD421
● Electric Motor	ABD447
● Rocker Switch	MK4900
● Rain & Temperature Sensor	C100T

# Ring Beam Section

## Ring Beam with Rafter Assembly

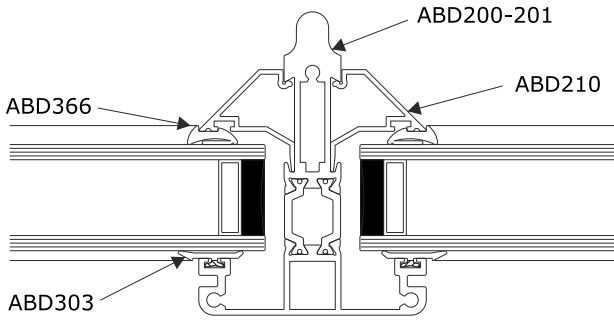


## Structural Ring Beam With Rafter Assembly

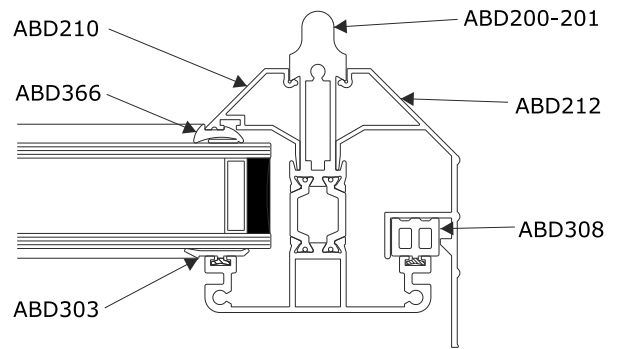


# Glazing Rafter, Transom & Verge Sections

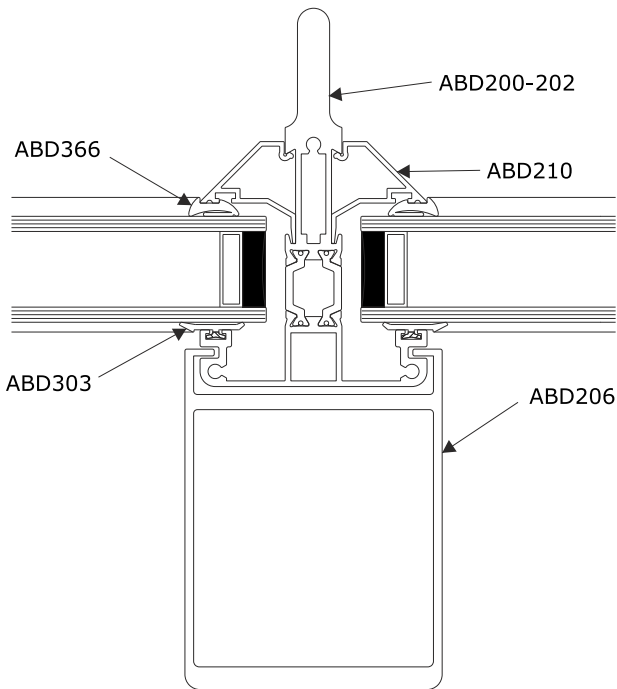
## Light Duty Rafter



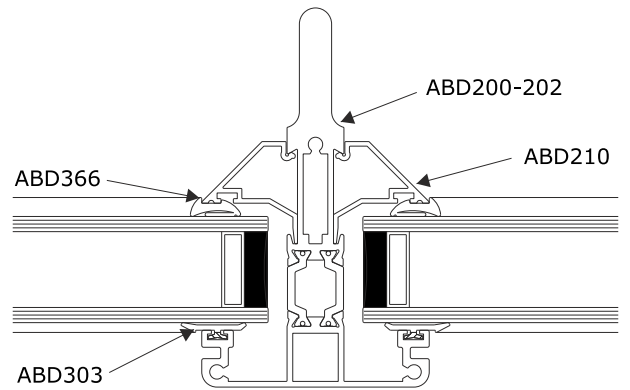
## Rafter End Bar



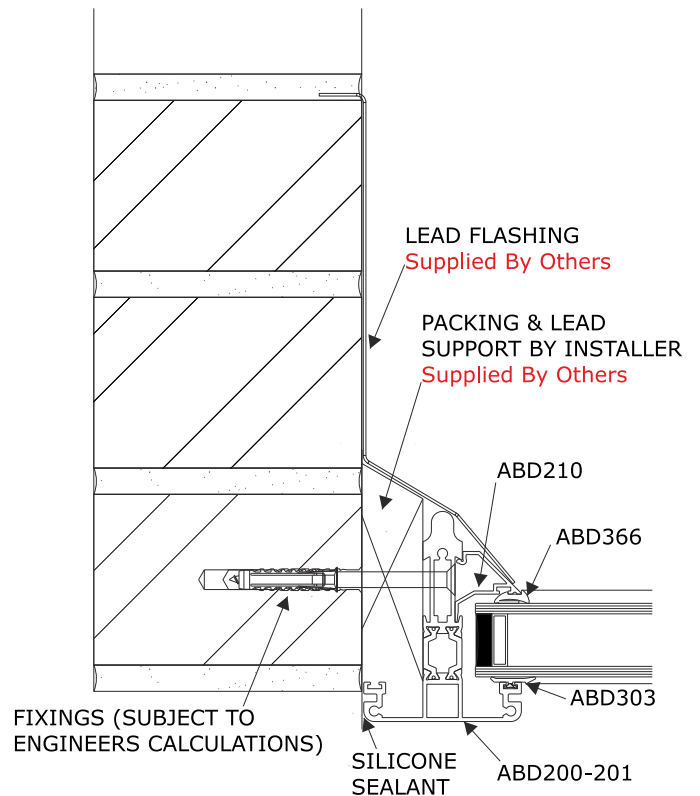
## Heavy Duty Rafter With Bolster Bar



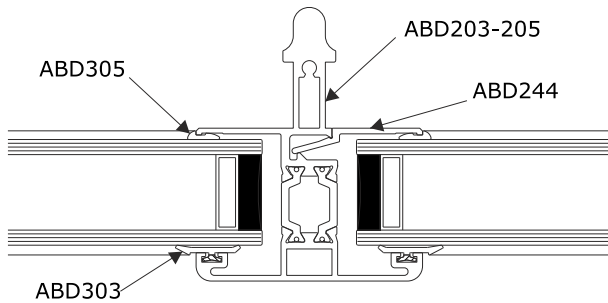
## Heavy Duty Rafter



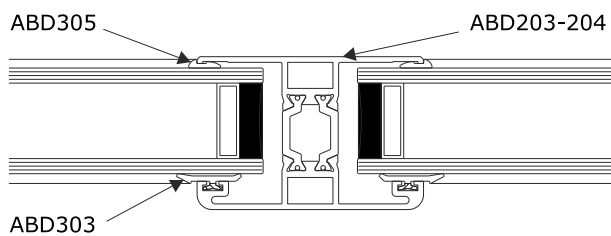
## Verge - Wall Rafter Assembly



## Jack Rafter

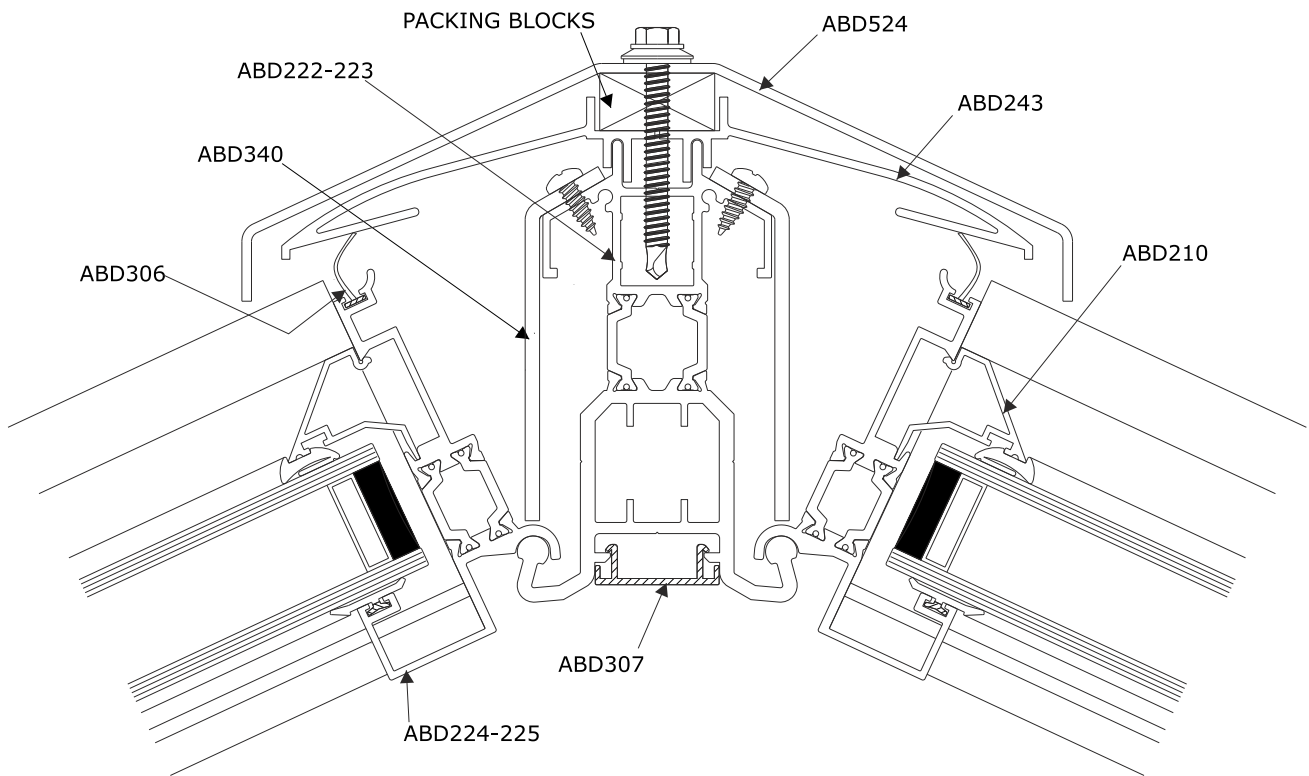


## Transom

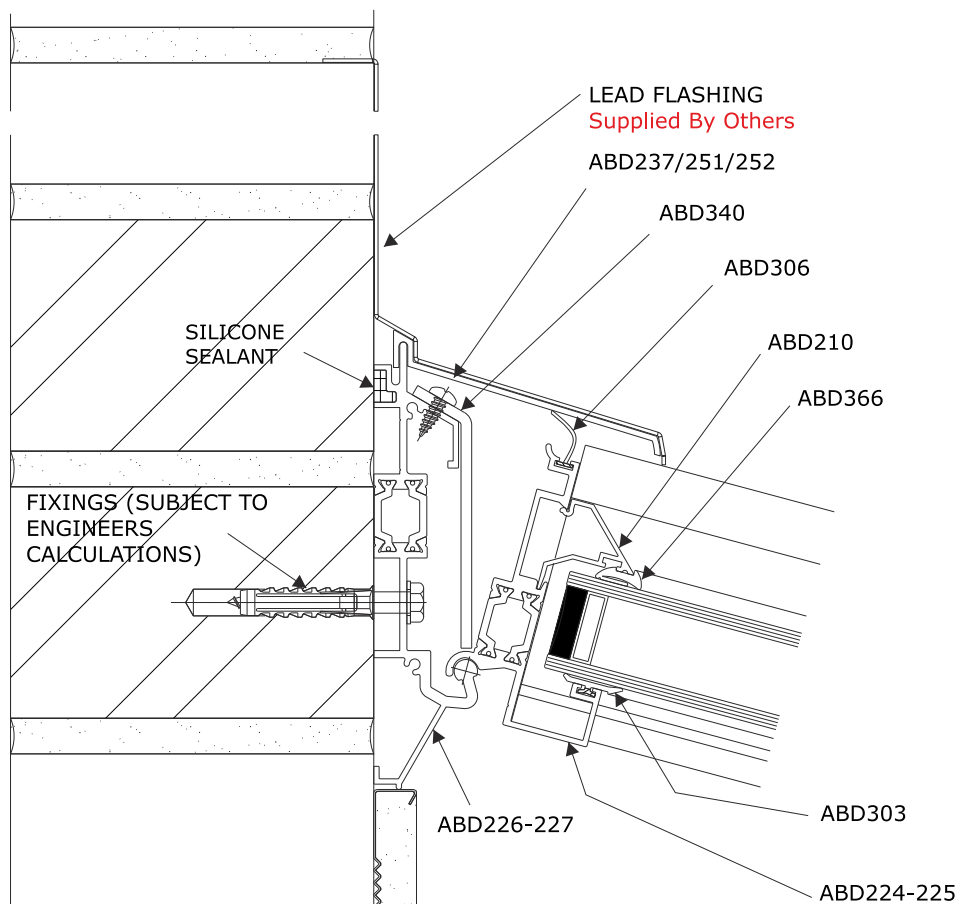


# Ridge Section & Wall Plate Section

## Ridge Assembly

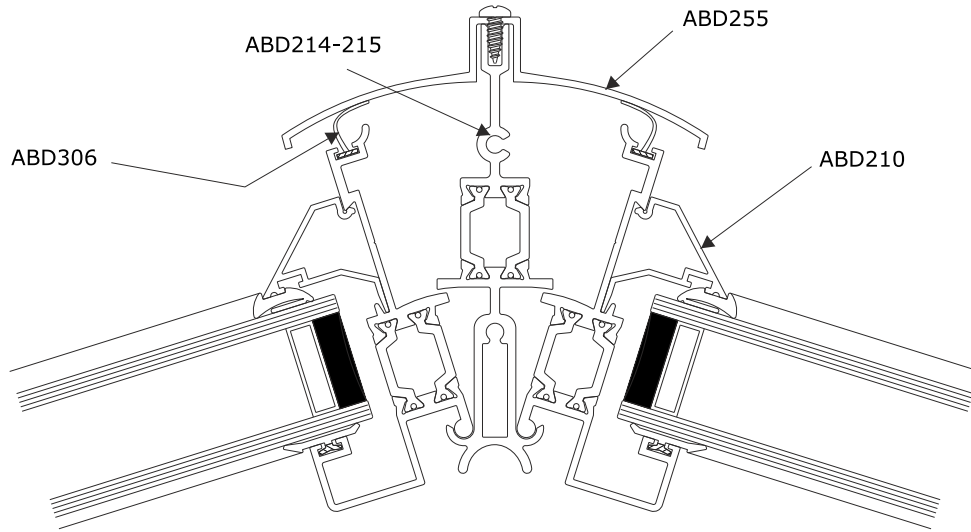


## Wall Plate Assembly

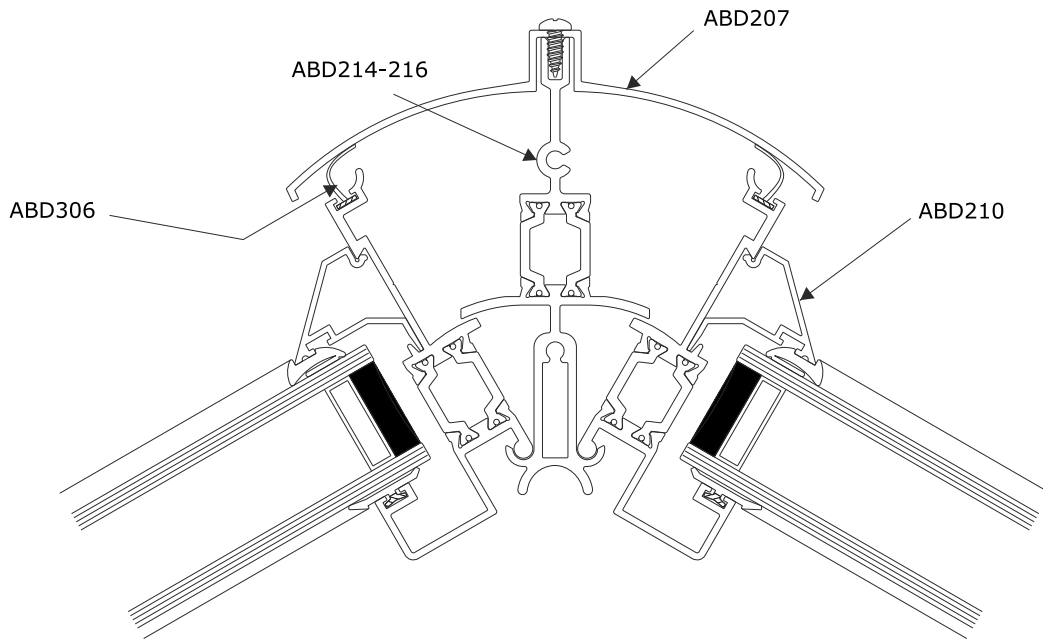


# Hip Sections

## Hip Assembly Using ABD214-215

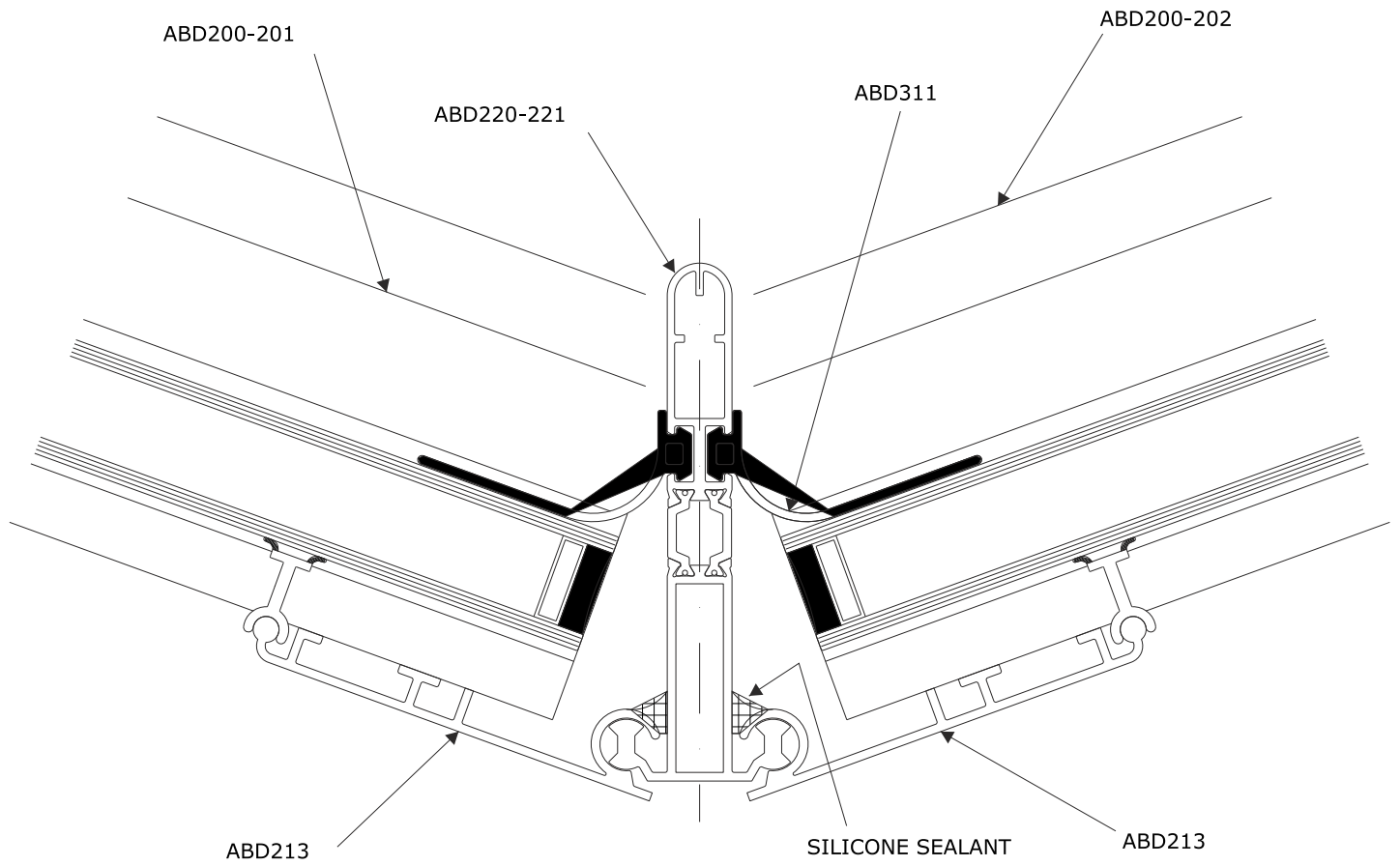


## Hip Assembly Using ABD214-216

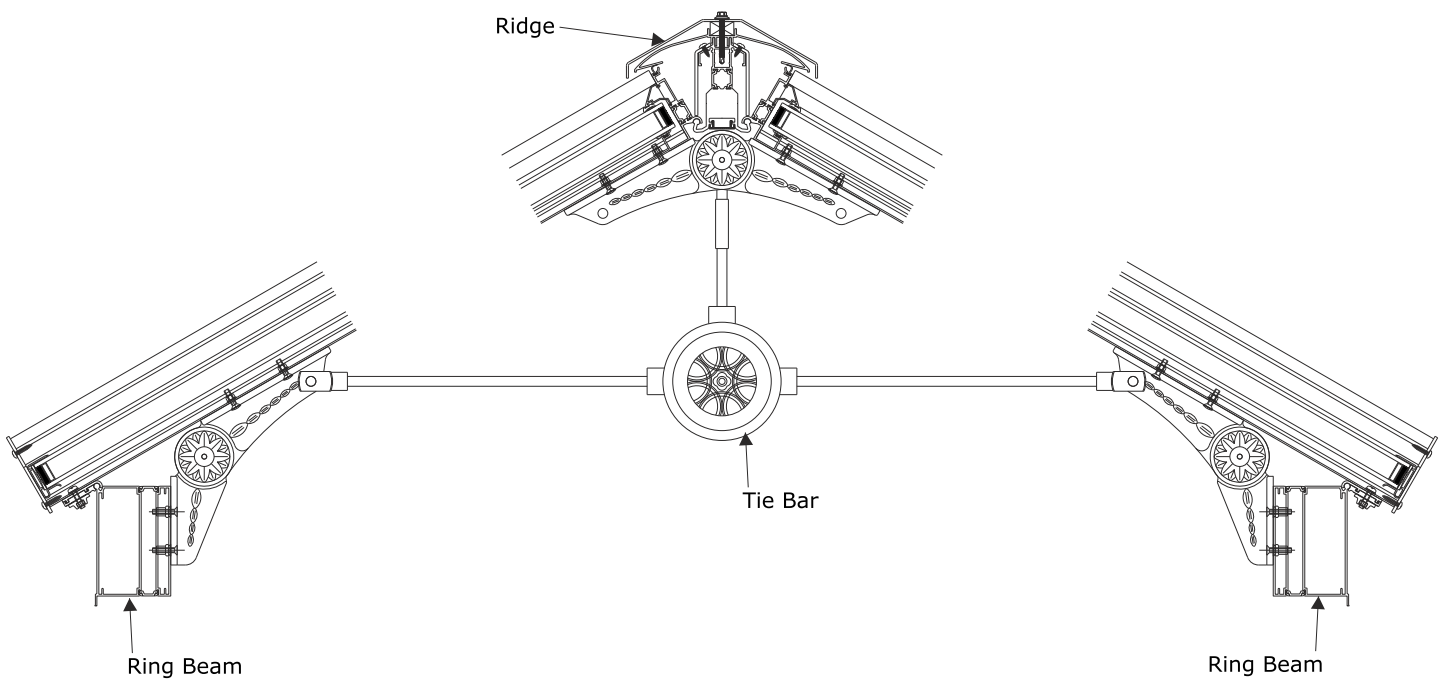


# Valley Section & Tie Bar Assembly

## Valley Assembly

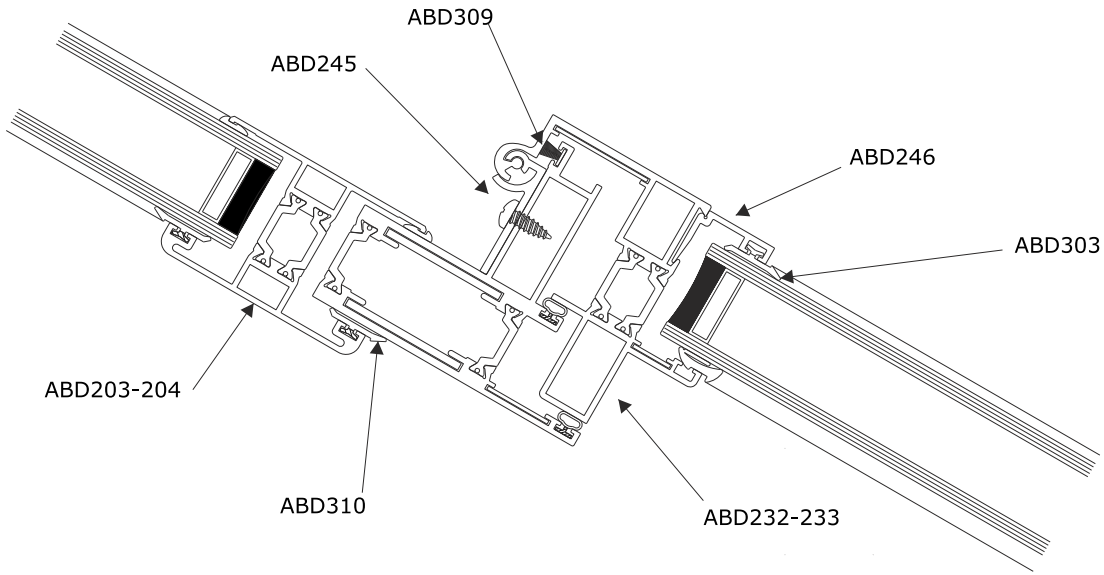


## Valley Assembly

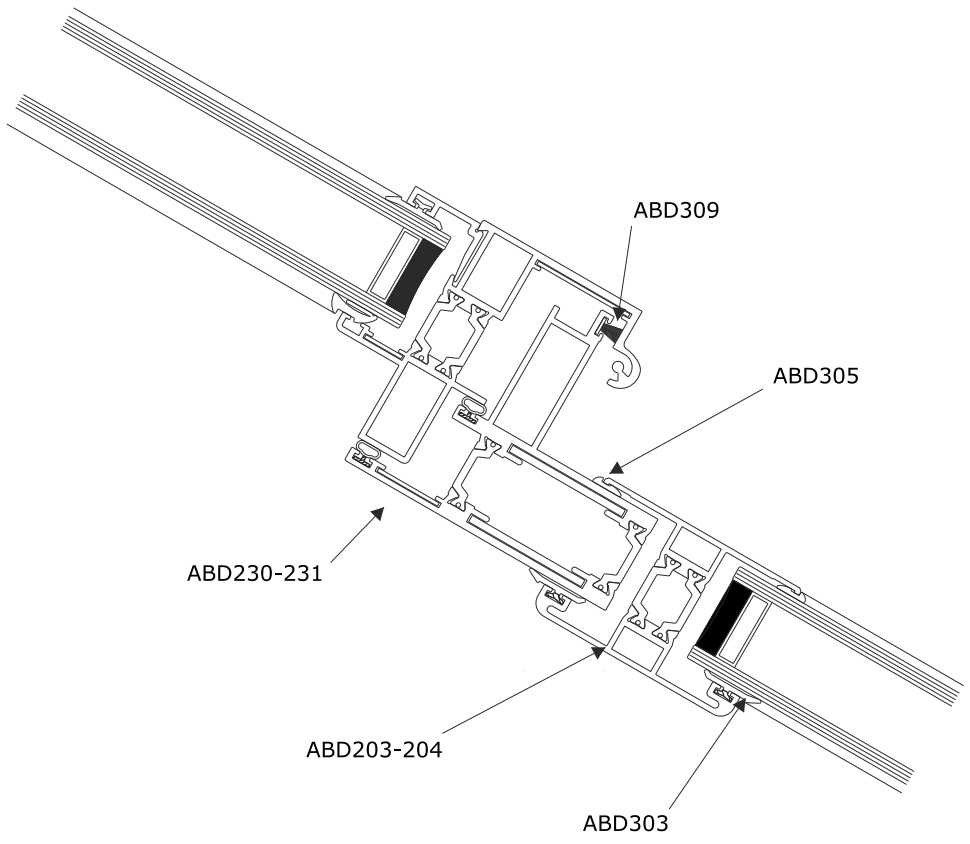


# Roof Vent Sections

## Top / Hinge End Of Opener



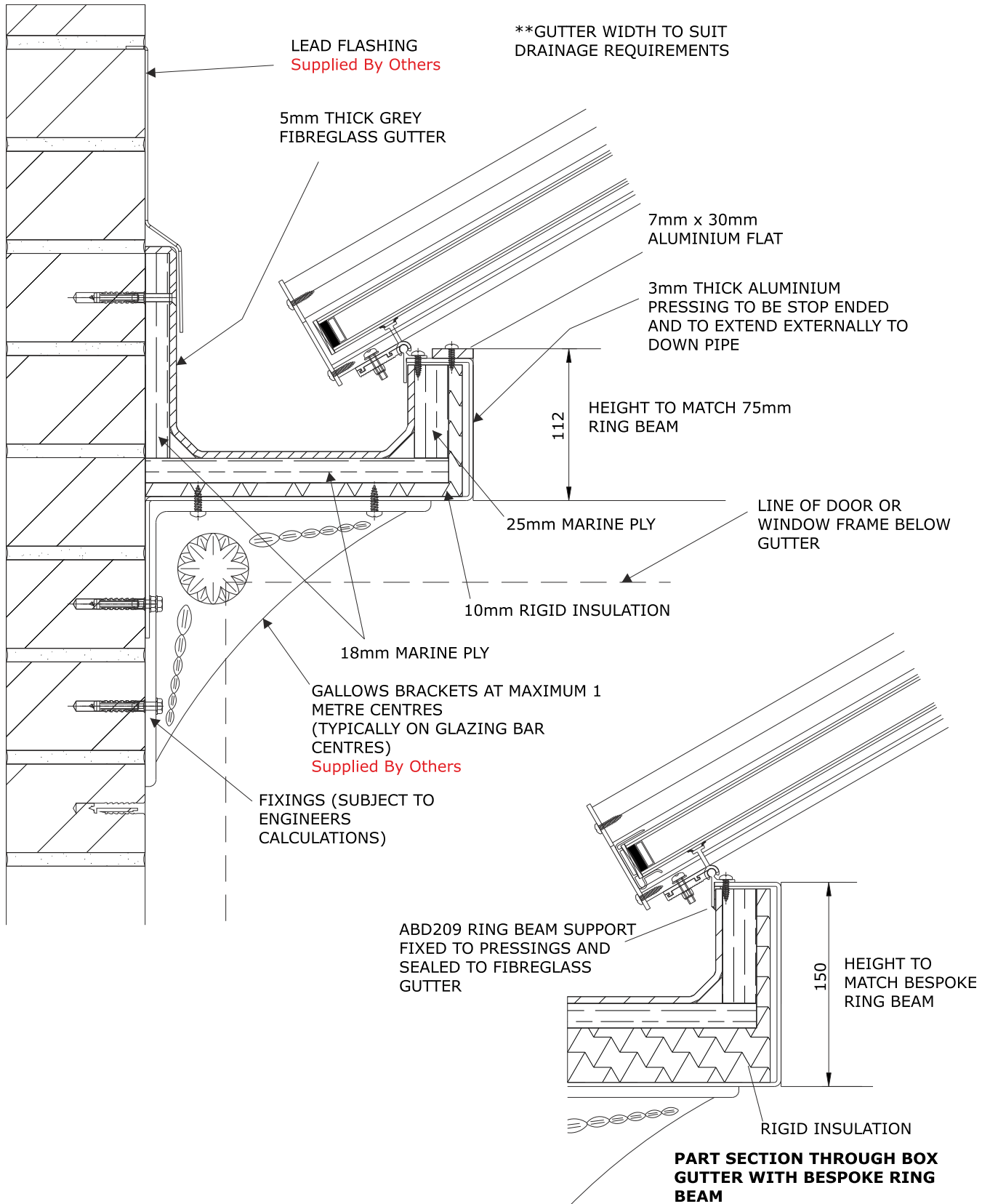
## Bottom / Opening End Of Opener





# Box Gutter Section

## Standard Box Gutter



### **Main Office & Factory**

Units 4-5,                    t: 01268 681612 (20 lines)  
Charfleets Road,        f: 01268 510058  
Canvey Island,         e: sales@duration.co.uk  
Essex. SS8 0PQ         w: www.duration.co.uk

### **Grand Design Exhibition Centre**

Unit 1 Casino Parade,    t: 01268 695100  
Eastern Esplanade,  
Canvey Island,            SatNav Directions  
Essex. SS8 7FJ            Use: SS8 7DN.